

Motorcycle Wiring Parts & Tools



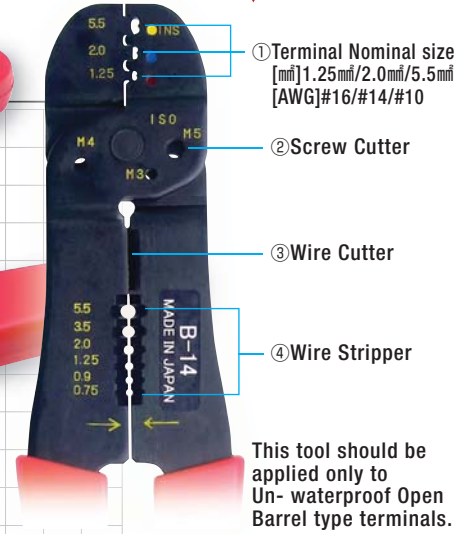
HERO ELECTRIC CO.,LTD.
Since 1968

- Crimping Tool ■ Bullet Terminal
- Terminal Removal Tool Set ■ Sealed Connector / Terminal

4 in 1 !

Crimping Tool for Professional B-14 (Crimper)

Crimping tool of professional specification sold since 1968. Because of high quality, get a high valuation among professional mechanic in Japan.

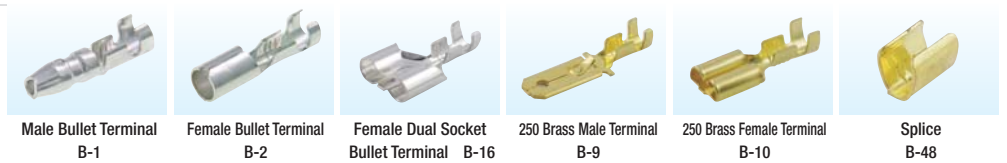


This tool should be applied only to Un- waterproof Open Barrel type terminals.

Available for following terminals (as an example)

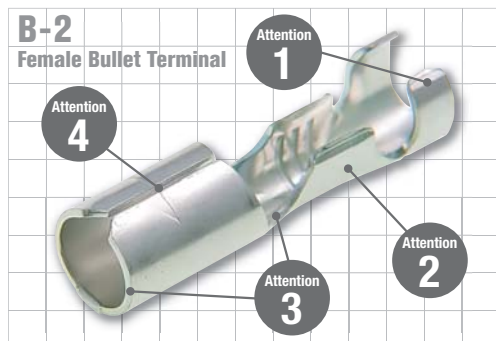
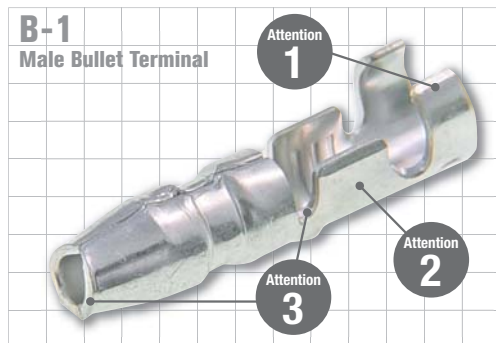
Specification

- Crimping range : [mm] 1.25mm~5.50mm [AWG]#16~#10
- Weight : 0.23kg
- Overall : 210mm



Bullet Terminal B-1/B-2

- Product for professional use
- High conductivity
- High quality plating



Specification

- Applicable wire size : [mm] 0.50mm~2.00mm [AWG]#20~#14
- Material : Brass copper TypeI
- Surface finish: Tin-plating (gloss)
- TOOL No : B-14 / FRH-07 / FRC-200

Attention 1

Give a beautiful finish, by pre-forming the crimp part.

Our products		Other products	
preforming	after crimping	Not preforming	after crimping
<p>What is a "pre-forming"?</p> <p>By bending inward a leading end portion, the crimping operation becomes easy, and perfectly finished.</p>			

Attention 2

Adopt a thick material, it realize a durable shape retention and high conductivity.

Thickness comparison

Our products Other products

Attention 3

Tin plating treatment is applied also to the cut surface, improve anti-rusting.

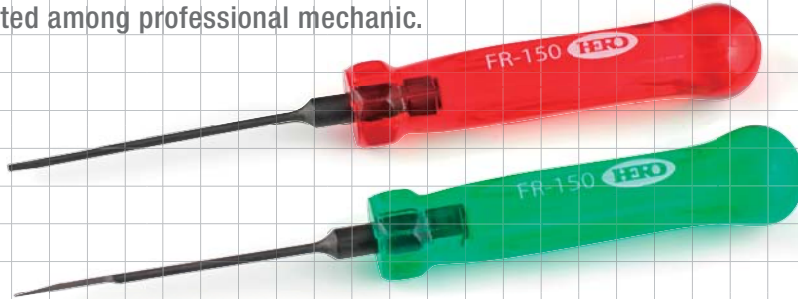
Attention 4

A narrow seam gap, improve adhesion. (Larger contact area = Higher conductivity)



Terminal Removal Tool Set **FR-150**

Specialized tool for pulling out the incorporated terminal inside of connector.
Convenience and easy to handle.
Well accepted among professional mechanic.



MADE IN JAPAN

Specification

- Weight: 0.03kg
- Overall: 125mm
- Material: Carbon tool steel

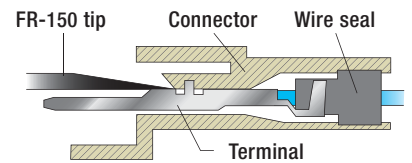
■ **FR-A-S** (Tip expansion)



■ **FR-M-Y** (Tip expansion)

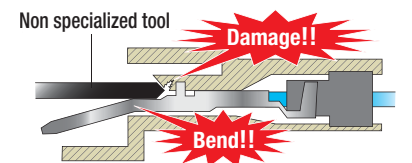


When using the FR-150
Very easy!



Without damaging the terminal / connector, it can be easily pulled out. The shape of the shaft tip is specially designed.

When using non specialized tool

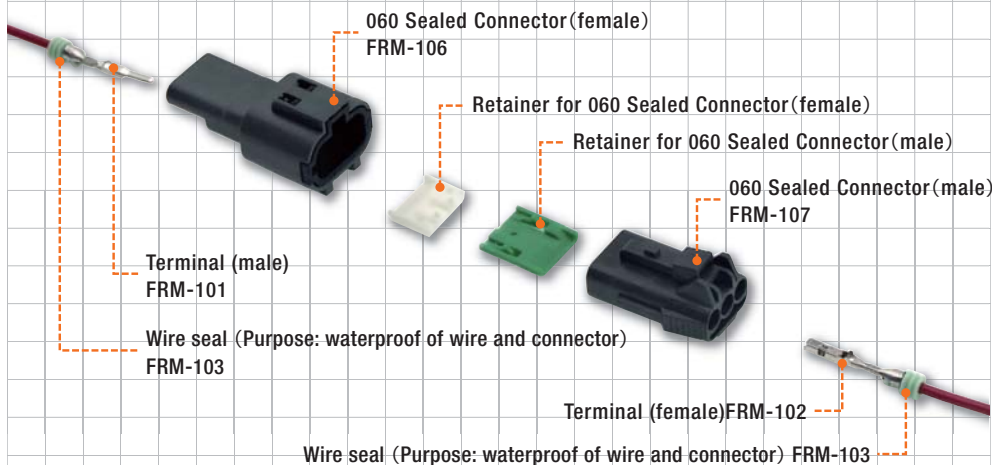


A connector and a terminal may be damaged.

Sealed Connector / Terminal **070(FRA)/060(FRM)/070(FRY)/090(FRS)-series**

Sealed connector / terminal, ideal for motorcycle.

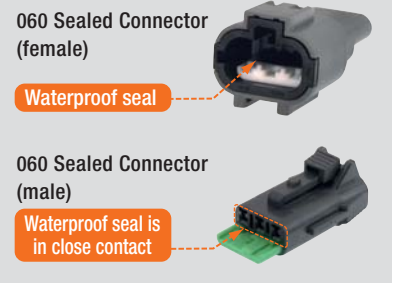
060 (FRM) -series (3-Pin)



MADE IN JAPAN

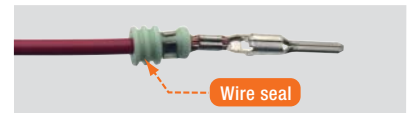
Point 1

When assembled, tightly sealed by "waterproof seal"



Point 2

When crimping a terminal, crimp the wire seal together for waterproof function.



Operating precautions

- When you use a product in the leaflet, please strictly follow standards and specifications.
- It may cause an electric shock or fire.
- Do not use tools for any purpose other than the intended purpose.
- ※ Design and Specification of products are subject to change without notice for improvement.

The contents in this leaflet are current as of November 2020.

[Contact us]

[Manufacturer]

HERO HERO ELECTRIC CO.,LTD.

Koshigaya-shi Mashimori Kougyou Danchi, 1544-8,
Mashimori, Koshigaya-shi, Saitama 343-0012, JAPAN
URL <https://hem.co.jp/>