

Automobile Wiring Parts & Tools



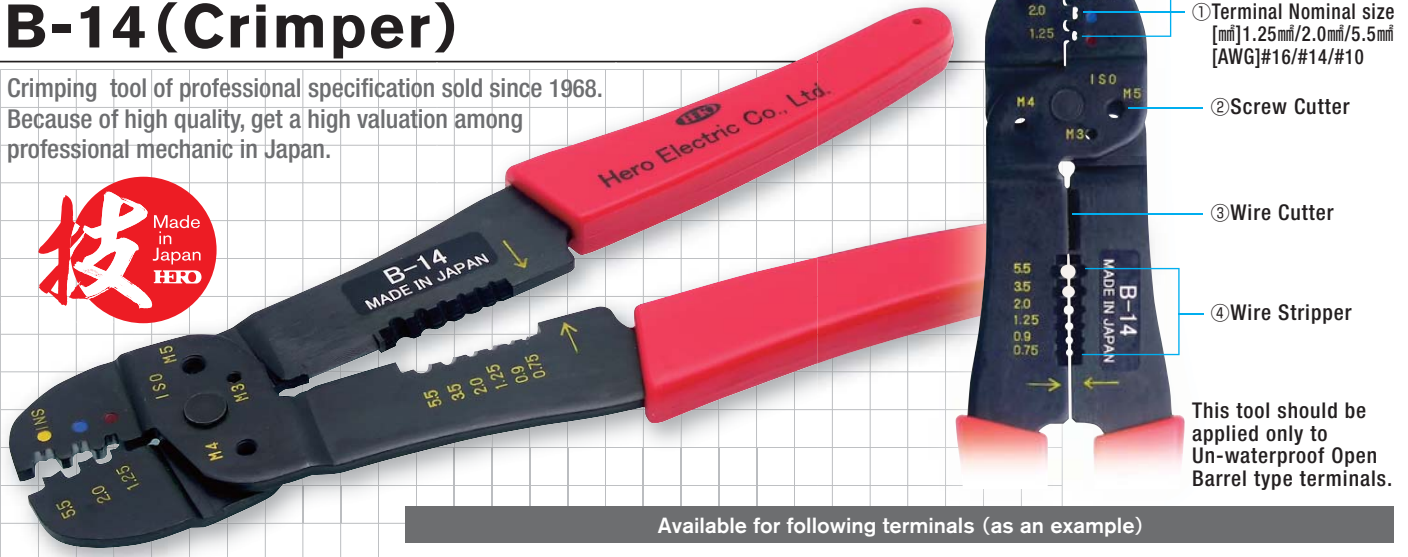
■ Crimping Tool ■ Bullet Terminal ■ Crimping Tool & Terminal Kit

HERO ELECTRIC CO.,LTD.
Since 1968

4 in 1 !

Crimping Tool for Professional B-14 (Crimper)

Crimping tool of professional specification sold since 1968. Because of high quality, get a high valuation among professional mechanic in Japan.

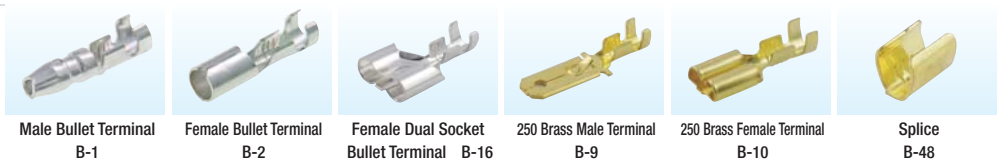


This tool should be applied only to Un-waterproof Open Barrel type terminals.

Available for following terminals (as an example)

Specification

- Crimping range : [mm] 1.25mm~5.50mm [AWG] #16~#10
- Weight : 0.23kg
- Overall : 210mm



❖ Comparison with other products

Product for professional use **High precision** **High quality**

Our products

Good
What does polished tooth bring?

By polishing, our tooth accomplishes smooth crimping. This realizes beautiful and accurate crimping of a terminal for the finish.

Manufacturing tools in Asia

Bad
What if there is no polishing for the tooth?

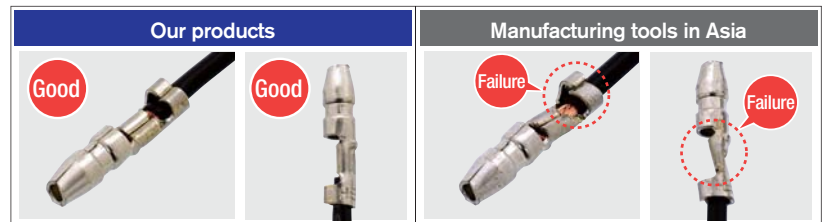
Since there is no polishing for the tooth, there remains resistance for crimping. In addition no polishing means less exact dimension of a tooth, which can damage terminal itself.

Attention 1

MADE IN JAPAN, the mark you can trust. From design to manufacturing, the entire product of ours is MADE-IN-JAPAN. We have a sales record of 500 thousand units as tools for cars and Motorcycle.

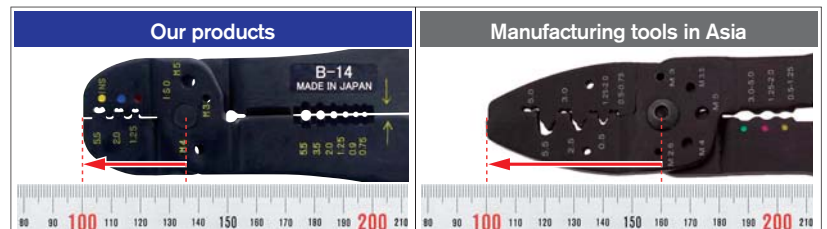
Attention 2

Our well-designed tooth achieves exact fitness for the finish. We employ buffing (mirror finish) over tooth parts, which enables tooth with smooth and easy crimping.

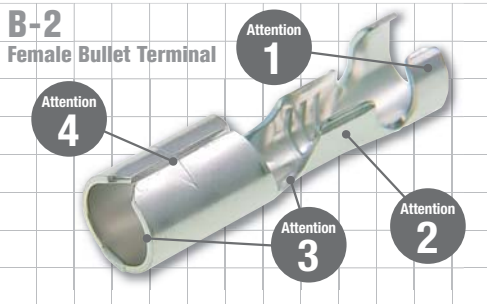
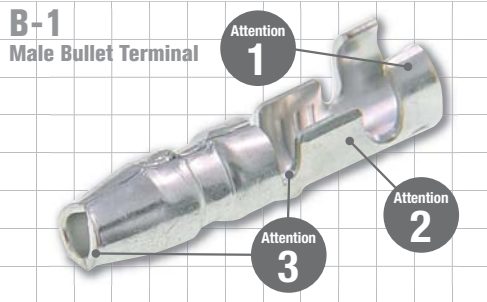


Attention 3

The head of our tool is compactly designed in order to increase the efficiency for works in a narrow space (;comparison with the similar tool).



Bullet Terminal B-1/B-2



Specification

- Applicable wire size : [mm]0.50mm~2.00mm [AWG]#20~#14
- Material : Brass copper TypeI ■ Surface finish : Tin-plating(gloss)
- TOOL No : B-14 / FRH-07 / FRC-200

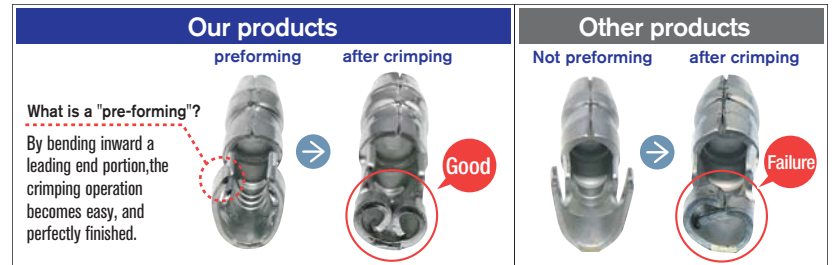
Product for professional use

High conductivity

High quality plating

Attention 1

Give a beautiful finish, by pre-forming the crimp part.



Attention 2

Adopt a thick material, it realize a durable shape retention and high conductivity.

Attention 3

Tin plating treatment is applied also to the cut surface, improve anti-rusting.

Attention 4

A narrow seam gap, improve adhesion.
(Larger contact area = Higher conductivity)



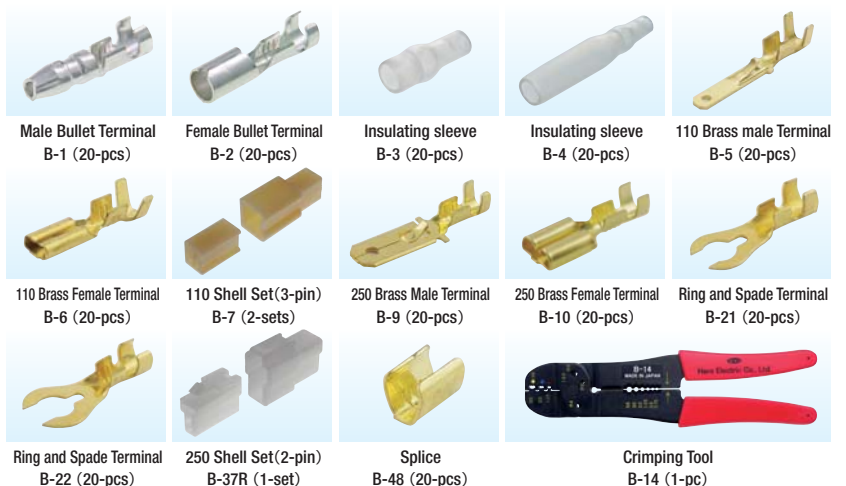
Crimping Tool & Terminal Kit B-14 STD KIT



Specification

- Weight : 0.55kg ■ External Size : (L)260mm×(W)145mm×(H)27mm

Contains 13 types of standard terminals.



Operating precautions

- When you use a product in the leaflet, please strictly follow standards and specifications.
- It may cause an electric shock or fire.
- Do not use tools for any purpose other than the intended purpose.
- ※ Design and Specification of products are subject to change without notice for improvement.

The contents in this leaflet are current as of November 2020.

[Contact us]

[Manufacturer]

HERO HERO ELECTRIC CO.,LTD.

Koshigaya-shi Mashimori Kougyou Danchi,1544-8,
Mashimori,Koshigaya-shi,Saitama 343-0012,JAPAN
URL <https://hem.co.jp/>